

---

Lewmar Marine Ltd Southmoor Lane Havant Hampshire PO9 1JJ England Tel (44) 01705 471841

## REPLACING STANDARD PORTLIGHT SEALS

### **1) Check The Seal.**

Check that the seal which you have ordered is the correct size for the portlight which is to have the seal replaced.

### **2) Remove The Old Seal.**

The seal is held in place by an arrowhead which is forced into a cavity in the aluminium extrusion of the outer frame of the portlight. In addition silicone sealant has been applied to the cavity to aid assembly and help prevent leaks (see drawing on reverse).

### **3) Clean Out The Cavity In The Aluminium Outer Frame.**

This may be done using a plastic scraper. Solvents should not be used to remove the old silicone sealant because they may attack or otherwise damage the outer frame. It may also result in damage or increase weathering of the acrylic should it come into contact with the window.

### **4) Dry Fit The Seal**

The seal is not the same on both sides, there is a slight step which appears as a line along the seal. On one side of the seal the step is further away from the arrowhead than on the other. Fit the seal with the step furthest from the arrowhead closest to the centre of the portlight (see drawing on reverse).

Push the arrowhead into the cavity, a thin roller or blunt plastic "pusher" will make this easier. Work from the middle of the portlight to the ends, doing the top and bottom edge first. Work the corners in second and finish with the ends. The join in the seal should end up in line with one of the hinges.

If the seal will not go into place it is possible that there may be some of the old sealant left in the extrusion.

When the seal is dry fitted it should be possible to close the portlight.

### **5) Apply Sealant & Fit The Seal**

Apply a bead of sealant all the way around the inside of the cavity. Fit the seal, close the portlight and leave for the seal to dry.

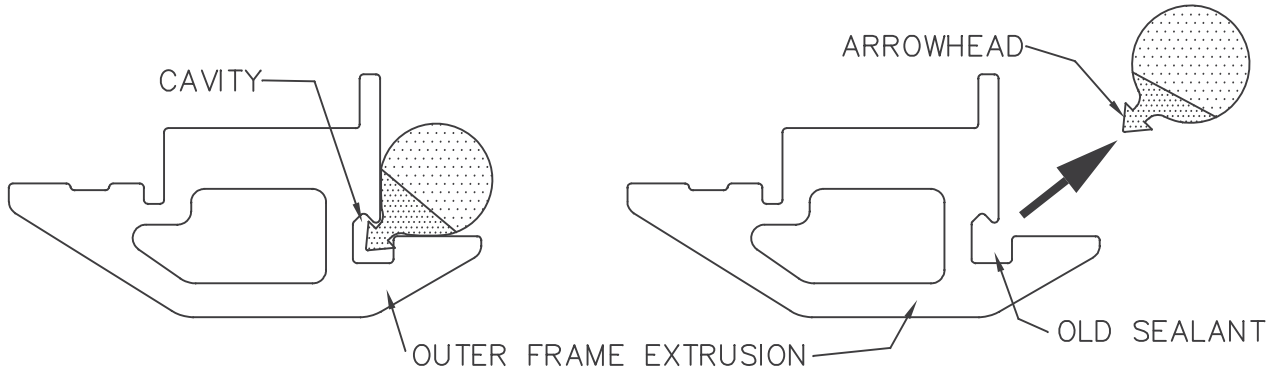
For drawings see sheet B5963-B on reverse

# LEWMAR

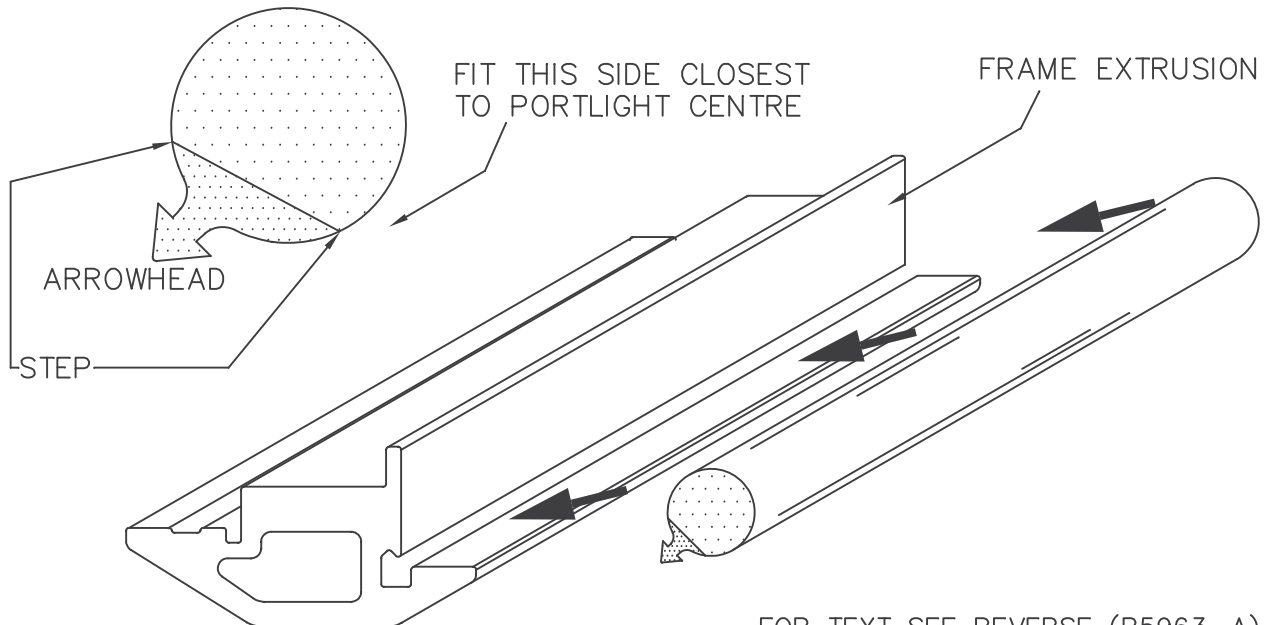
B5963-B

## REPLACING STANDARD PORTLIGHT SEALS

THE OLD SEAL IS HELD IN PLACE BY AN ARROWHEAD WHICH IS FORCED INTO A CAVITY IN THE ALUMINIUM EXTRUSION OF THE OUTER FRAME OF THE PORTLIGHT. IN ADDITION, SILICONE SEALANT HAS BEEN APPLIED TO THE CAVITY TO AID ASSEMBLY AND HELP PREVENT LEAKS.



WHEN REFITTING THE SEAL IT IS IMPORTANT TO NOTE THAT THE SEAL IS NOT THE SAME ON BOTH SIDES, THERE IS A SLIGHT STEP WHICH APPEARS AS A LINE ALONG THE SEAL. ON ONE SIDE OF THE SEAL THE STEP IS FURTHER AWAY FROM ONE SIDE THAN THE OTHER. FIT THE SEAL WITH THE STEP FURTHEST FROM THE ARROWHEAD CLOSEST TO THE CENTRE OF THE PORTLIGHT.



FOR TEXT SEE REVERSE (B5963-A)

REPLACEMENT SEALS

ISSUE

2

DATE

04.02.97